

METAL CONSTRUCTION NEWS

September 2016

MTC™

THE NEWS, PRODUCTS & STRATEGIES DRIVING THE METAL CONSTRUCTION INDUSTRY

Unraveling Coil Coating Myths

- Reflective Insulation Fights Heat
- Success Story: Kistler McDougall Corp.
- Self Storage, Agriculture, Warehouses and Manufacturing Projects

www.metalconstructionnews.com

GO BEYOND THE PANEL...

...AND GO TO THE NEXT LEVEL.



1-Piece, Tight-Fit Molding



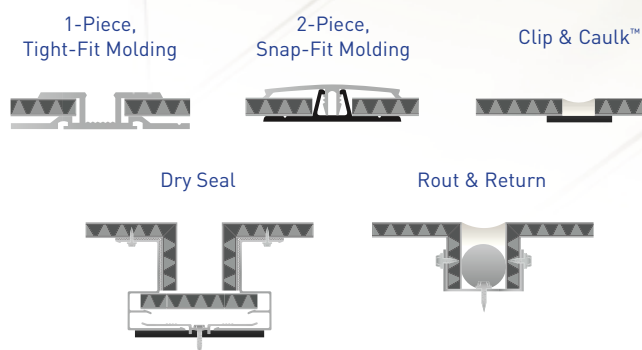
Clip & Caulk™

Dry Seal

Rout & Return

Omega-Lite® ACM Panel Systems

Laminators Incorporated does more than manufacture today's premier ACM panels—we provide engineering assistance, custom fabrication, tested installation systems, and all associated support services.



GoBeyondThePanel.com

See how we can take your ACM project to the next level.



800.523.2347

circle #15 on reader service card



A-AAAKey Mini Storage, San Antonio

Archon Architects Inc. specified bright colored metal roof and wall panels for A-AAAKey Mini Storage's 124,000-square-foot, five building complex to draw attention from highway drivers. The project encompasses four single-story, non-climate-controlled buildings, a three-story, climate-controlled building, leasing and sales offices and manager's apartment.

Capco Steel Inc. installed 55,000 square feet of MBCI's Ultra-Dek metal roof panels in Galvalume; 4,900 square feet of MBCI's PBD metal wall panels in custom purple; 2,500 square feet of MBCI's FW-120 metal wall panels in Signature 200 White; and 2,100 square feet of MBCI's 7.2 metal roof panels in custom purple for the project. Additionally, foam insulation was installed and a rooftop solar panel system generates approximately 40 percent of the electricity for the facility. The project was completed in August 2015.

General contractor: Brundage Mini Storages

Ltd., San Antonio

Architect: Archon Architects Inc.,

San Antonio

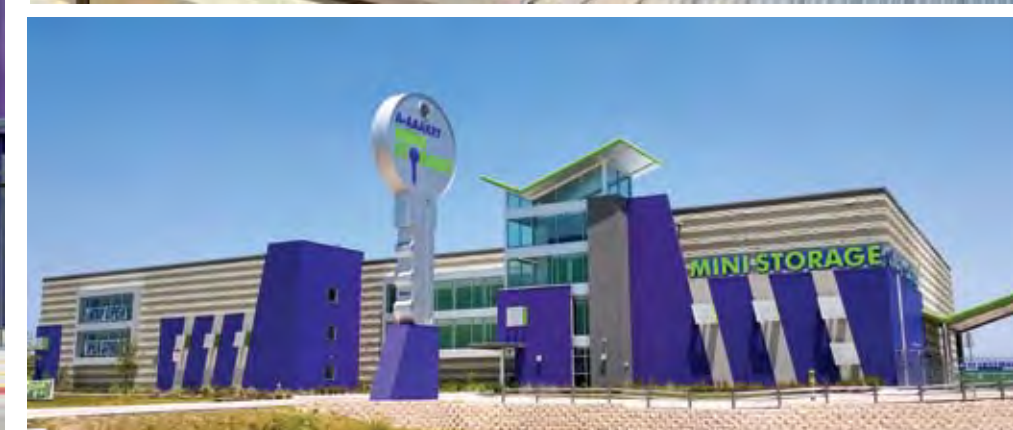
Construction manager/supplier/installer:

Capco Steel Inc., San Antonio

Metal roof panels/metal wall panels: MBCI,

Houston,

www.mbc.com, Circle #47



The Future of Building Green is Here

All Weather Insulated Panels is the first North American company to use Honeywell's Solstice® Liquid Blowing Agent (LBA), making our insulated metal panels America's greenest:

- Global Warming Potential (GWP) of 1
- Non-flammable (ASTM E-681)
- No volatile organic compounds
- Solstice LBA is registered with EPA's Significant New Alternatives Policy (SNAP) Program
- Solstice LBA is hydrofluoro-olefin (HFO) technology that enables closed-cell foam to provide excellent insulating properties.

Customers get best-of-class energy ratings, the lowest environmental footprint and:

- Exceptional thermal resistance values
- Certified R value ratings
- One-step composite installation
- State of the art panel manufacturing
- Unsurpassed customer service

With Solstice LBA, AWIP offers A Better Way to Build



AWIP Foam Composite with Solstice® LBA



AWIP ALL WEATHER INSULATED PANELS

1-888-970-AWIP (2947) sales@awipanel.com
www.awipanel.com